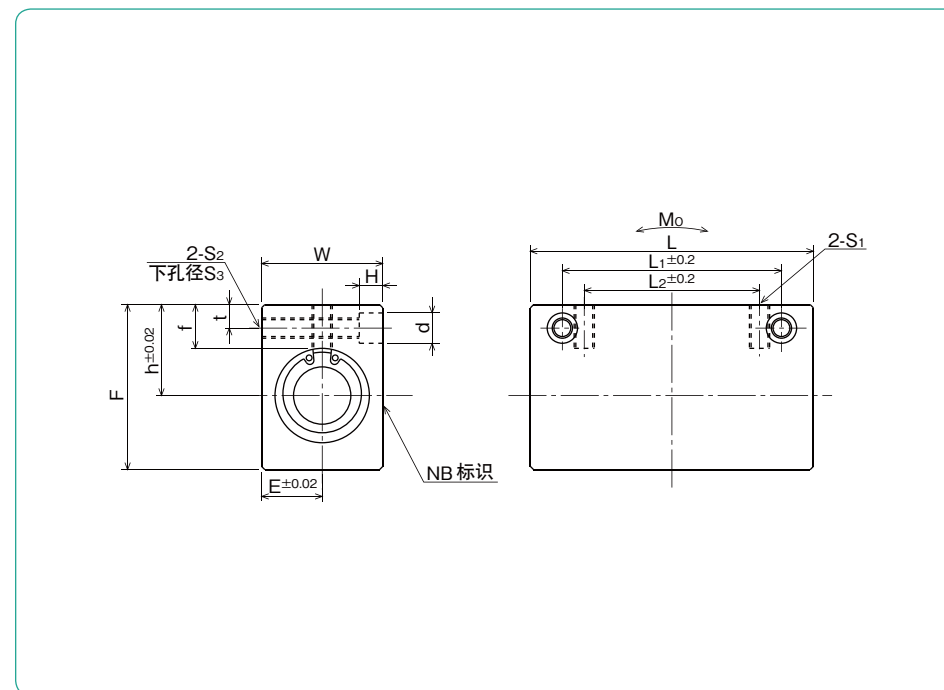
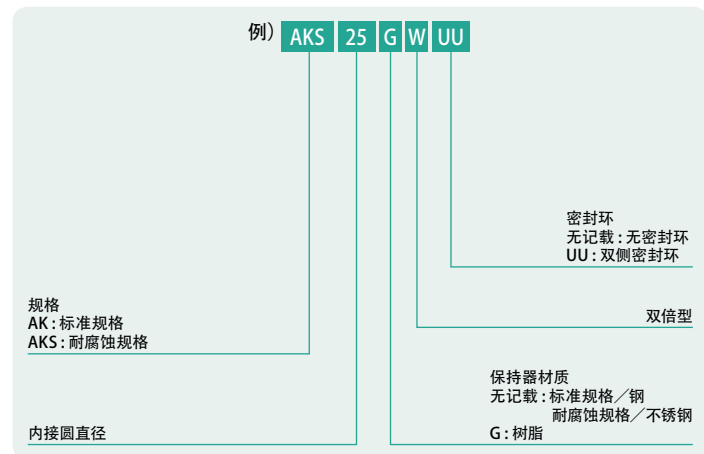


AK-W型

—小型滑块双倍型—



公称型号构成



直线轴承·衬套

| 公称型号 | 内接圆直径 | | 外形尺寸 | | | | | | | 主要尺寸 | | |
|----------|-------|-----------|---------|---------|---------|---------|---------|----------------------|----------------|------|--|--|
| | mm | 公差 μm | h mm | E mm | W mm | F mm | L mm | L ₂ mm | S ₁ | | | |
| AK 6GWUU | 6 | 0 - 9 | 14 | 8 | 16 | 22 | 46 | 20 | M4 | | | |
| AK 8GWUU | 8 | | 16 | 10 | 20 | 26 | 56 | 30 | M5 | | | |
| AK10GWUU | 10 | | 19 | 13 | 26 | 32 | 68 | 36 | M6 | | | |
| AK12GWUU | 12 | | 20 | 14 | 28 | 34 | 70 | 36 | M6 | | | |
| AK13GWUU | 13 | | 25 | 15 | 30 | 43 | 74 | 42 | M6 | | | |
| AK16GWUU | 16 | | 27 | 18 | 36 | 49 | 84 | 52 | M6 | | | |
| AK20GWUU | 20 | 0 - 10 | 31 | 21 | 42 | 54 | 94 | 58 | M8 | | | |
| AK25GWUU | 25 | | 37 | 26 | 52 | 65 | 128 | 80 | M10 | | | |
| AK30GWUU | 30 | | 40 | 29 | 58 | 71 | 138 | 90 | M10 | | | |

| 安装尺寸 | | | | | | | 基本额定负荷 | | 静态允许 力矩 M _o N·m | ※ 质量 g | 轴径 mm |
|---------|----------------------|---------|----------------|----------------------|---------|---------|-------------|--------------|-------------------------------------|--------------|----------|
| f mm | L ₁ mm | t mm | S ₂ | S ₃ mm | d mm | H mm | 动 C N | 静 Co N | | | |
| 8 | 30 | 5 | M4 | 3.5 | 6 | 5 | 323 | 530 | 2.18 | 40 | 6 |
| 8.5 | 42 | 5 | M4 | 3.5 | 6 | 5 | 431 | 784 | 4.31 | 75 | 8 |
| 9.5 | 50 | 6 | M5 | 4.5 | 8 | 6 | 588 | 1,100 | 7.24 | 150 | 10 |
| 9.5 | 50 | 6 | M5 | 4.5 | 8 | 6 | 813 | 1,570 | 10.9 | 168 | 12 |
| 13.5 | 55 | 7 | M6 | 5.2 | 9 | 7 | 813 | 1,570 | 11.6 | 248 | 13 |
| 13 | 65 | 7 | M6 | 5.2 | 9 | 7 | 1,230 | 2,350 | 19.7 | 383 | 16 |
| 15 | 70 | 8 | M8 | 7 | 11 | 8 | 1,400 | 2,740 | 26.8 | 520 | 20 |
| 17 | 100 | 9 | M10 | 8.9 | 14 | 10 | 1,560 | 3,140 | 43.4 | 1,120 | 25 |
| 17.5 | 110 | 9 | M10 | 8.9 | 14 | 10 | 2,490 | 5,490 | 82.8 | 1,384 | 30 |

※ 保持器材质为树脂时的质量。

1N=0.102kgf 1N·m=0.102kgf·m