

SM-W型

—双倍型—



公称型号构成

例) **SMS** **25** **G** **W** **UU**

规格
SM: 标准规格
SMS: 耐腐蚀规格

内接圆直径 dr

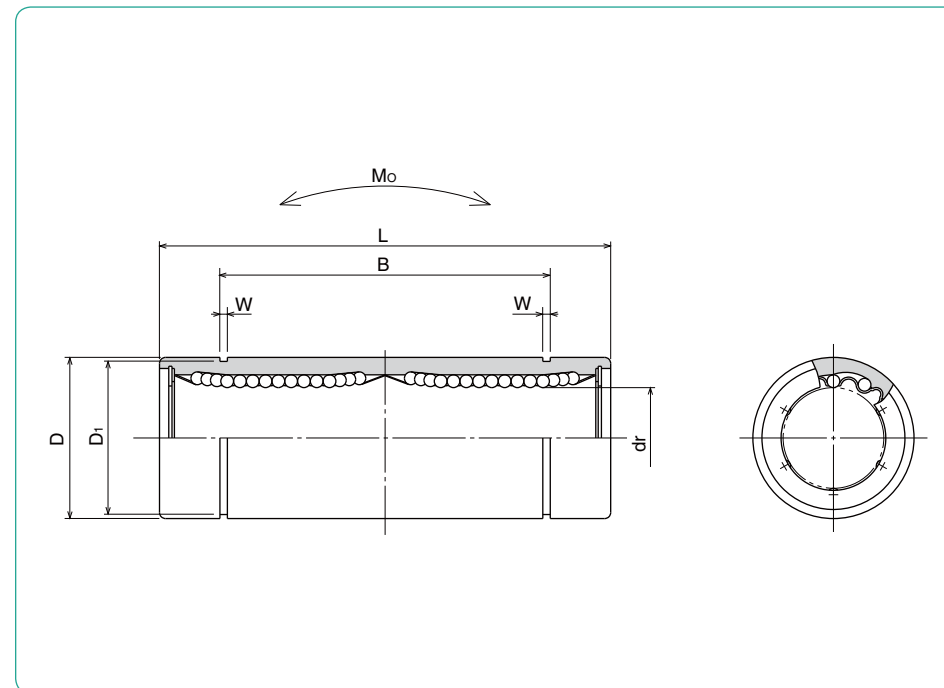
保持器材质
无记载: 标准规格/钢
耐腐蚀规格/不锈钢
G: 树脂

密封环
无记载: 无密封环
UU: 有双侧密封环
ZZ: 双侧双唇密封环

双联型

双唇密封环对应内接圆直径6~30。

| 公称型号 | | | | 钢球 线路 | dr mm | 主要尺寸 | |
|-------------------|-----------|----------------------|-----------|----------|----------|----------|----------|
| 标准规格 钢制 保持器 | 树脂 保持器 | 耐腐蚀规格 不锈钢制 保持器 | 树脂 保持器 | | | D mm | 公差 μm |
| SM 3W | SM 3GW | SMS 3W | SMS 3GW | 4 | 3 | 0 -10 | 7 |
| SM 4W | SM 4GW | SMS 4W | SMS 4GW | 4 | 4 | | 8 |
| SM 5W | SM 5GW | SMS 5W | SMS 5GW | 4 | 5 | | 10 |
| SM 6W | SM 6GW | SMS 6W | SMS 6GW | 4 | 6 | | 12 |
| SM 8W | SM 8GW | SMS 8W | SMS 8GW | 4 | 8 | | 15 |
| SM10W | SM10GW | SMS10W | SMS10GW | 4 | 10 | | 19 |
| SM12W | SM12GW | SMS12W | SMS12GW | 4 | 12 | | 21 |
| SM13W | SM13GW | SMS13W | SMS13GW | 4 | 13 | | 23 |
| SM16W | SM16GW | SMS16W | SMS16GW | 4 | 16 | | 28 |
| SM20W | SM20GW | SMS20W | SMS20GW | 5 | 20 | | 32 |
| SM25W | SM25GW | SMS25W | SMS25GW | 6 | 25 | 0 -12 | 40 |
| SM30W | SM30GW | SMS30W | SMS30GW | 6 | 30 | | 45 |
| SM35W | SM35GW | SMS35W | SMS35GW | 6 | 35 | 0 -15 | 52 |
| SM40W | SM40GW | SMS40W | SMS40GW | 6 | 40 | | 60 |
| SM50W | SM50GW | SMS50W | SMS50GW | 6 | 50 | | 80 |
| SM60W | SM60GW | SMS60W | SMS60GW | 6 | 60 | | 0/-20 |



直线轴承
衬套

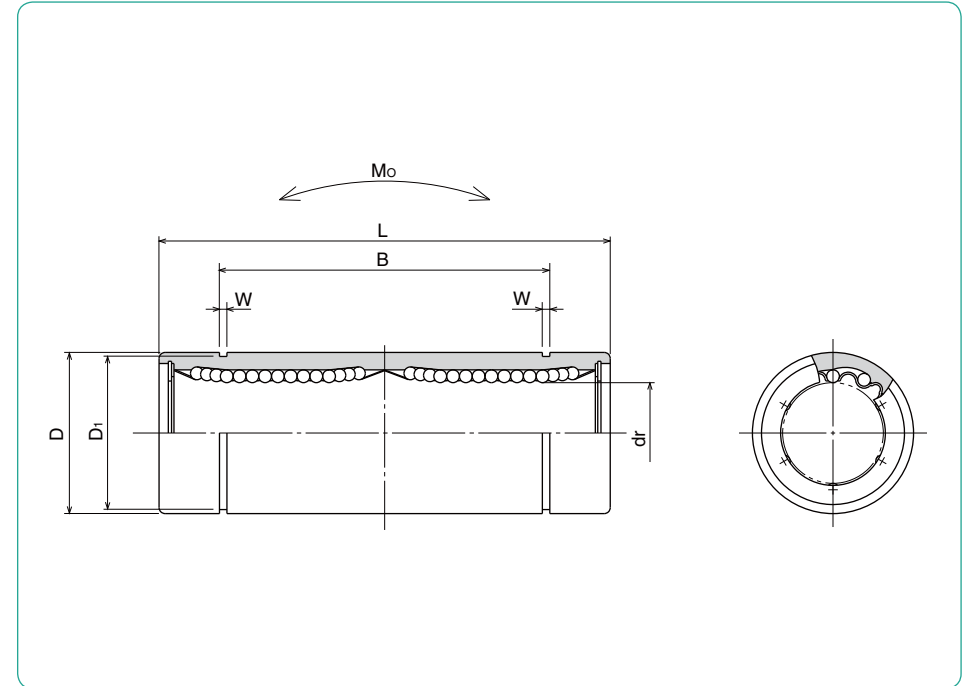
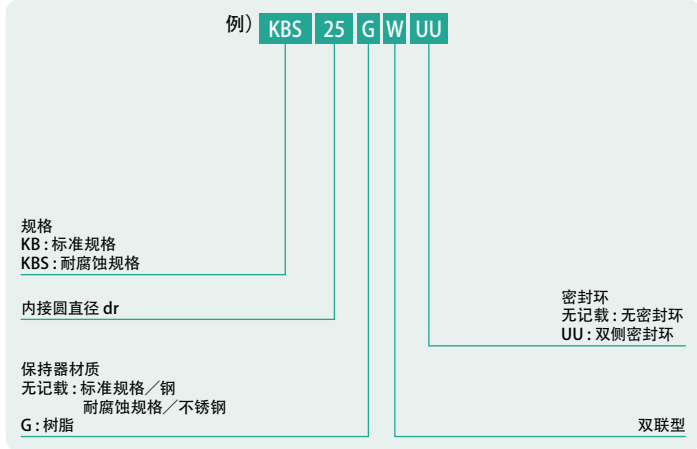
| mm | L 公差 mm | B | | W mm | D ₁ mm | 偏心 μm | 基本额定负荷 | | 静态允许 力矩 Mo N·m | 质量 g | 轴径 mm |
|-----|---------------|------|-----------|---------|----------------------|----------|-------------|--------------|-------------------------|---------|----------|
| | | mm | 公差 mm | | | | 动 C N | 静 Co N | | | |
| 19 | 0 -0.3 | — | — | — | — | 10 | 138 | 210 | 0.51 | 3.2 | 3 |
| 23 | | — | — | — | — | | 176 | 254 | 0.63 | 4.8 | 4 |
| 28 | | 20.4 | 0 -0.3 | 1.1 | 9.6 | | 265 | 412 | 1.38 | 11 | 5 |
| 35 | | 27 | | 1.1 | 11.5 | | 323 | 530 | 2.18 | 16 | 6 |
| 45 | | 35 | | 1.1 | 14.3 | 431 | 784 | 4.31 | 31 | 8 | |
| 55 | | 44 | | 1.3 | 18 | 588 | 1,100 | 7.24 | 62 | 10 | |
| 57 | | 46 | | 1.3 | 20 | 813 | 1,570 | 10.9 | 80 | 12 | |
| 61 | | 46 | | 1.3 | 22 | 813 | 1,570 | 11.6 | 90 | 13 | |
| 70 | | 53 | 1.6 | 27 | 1,230 | 2,350 | 19.7 | 145 | 16 | | |
| 80 | | 61 | 1.6 | 30.5 | 1,400 | 2,740 | 26.8 | 180 | 20 | | |
| 112 | 0 -0.4 | 82 | 0 -0.4 | 1.85 | 38 | 20 | 1,560 | 3,140 | 43.4 | 440 | 25 |
| 123 | | 89 | | 1.85 | 43 | | 2,490 | 5,490 | 82.8 | 480 | 30 |
| 135 | | 99 | | 2.1 | 49 | | 2,650 | 6,270 | 110 | 795 | 35 |
| 151 | | 121 | | 2.1 | 57 | | 3,430 | 8,040 | 147 | 1,170 | 40 |
| 192 | | 148 | | 2.6 | 76.5 | 6,080 | 15,900 | 397 | 3,100 | 50 | |
| 209 | | 170 | | 3.15 | 86.5 | 7,550 | 20,000 | 530 | 3,500 | 60 | |

1N≒0.102kgf 1N·m≒0.102kgf·m

KB-W型 (欧洲规格)
—双倍型—



公称型号构成



直线轴承·衬套

| 公称型号 | | | | 钢球 线路 | 主要尺寸 | | | |
|-----------|-----------|-------------|-----------|----------|------|-----|----|-------|
| 标准规格 | | 耐腐蚀规格 | | | dr | D | D | D |
| 钢制 保持器 | 树脂 保持器 | 不锈钢制 保持器 | 树脂 保持器 | | | | | |
| KB 8W | KB 8GW | KBS 8W | KBS 8GW | 4 | 8 | + 9 | 16 | 0/-9 |
| KB12W | KB12GW | KBS12W | KBS12GW | 4 | 12 | - 1 | 22 | 0 |
| KB16W | KB16GW | KBS16W | KBS16GW | 4 | 16 | +11 | 26 | -11 |
| KB20W | KB20GW | KBS20W | KBS20GW | 5 | 20 | - 1 | 32 | 0 |
| KB25W | KB25GW | KBS25W | KBS25GW | 6 | 25 | +13 | 40 | -13 |
| KB30W | KB30GW | KBS30W | KBS30GW | 6 | 30 | - 2 | 47 | 0 |
| KB40W | KB40GW | KBS40W | KBS40GW | 6 | 40 | +16 | 62 | -15 |
| KB50W | KB50GW | KBS50W | KBS50GW | 6 | 50 | - 4 | 75 | 0/-20 |
| KB60W | KB60GW | KBS60W | KBS60GW | 6 | 60 | | 90 | |

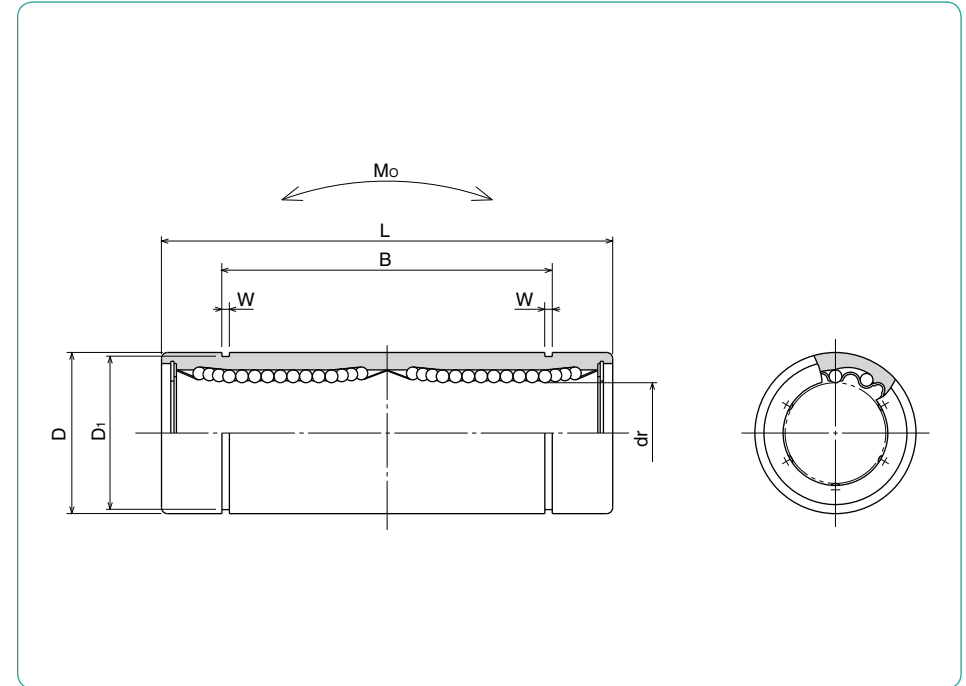
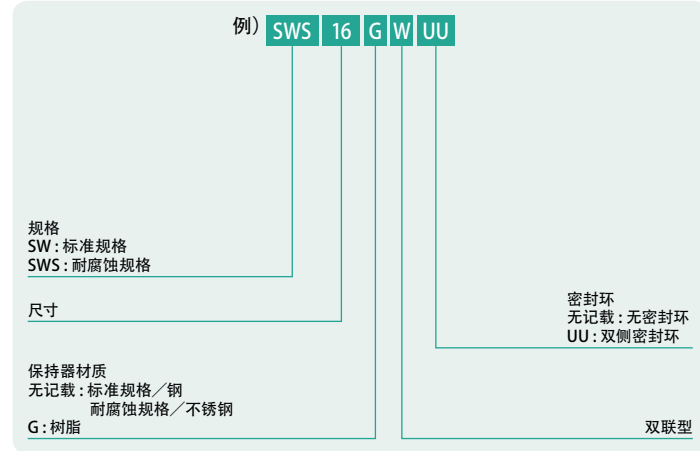
| mm | L 公差 mm | B | | W mm | D ₁ mm | 偏心 μm | 基本额定负荷 | | 静态允许 力矩 Mo N·m | 质量 g | 轴径 mm |
|-----|---------------|-------|-----------|---------|----------------------|----------|-------------|--------------|-------------------------|---------|----------|
| | | mm | 公差 mm | | | | 动 C N | 静 Co N | | | |
| 46 | 0 -0.3 | 33 | 0 -0.3 | 1.1 | 15.2 | 15 | 421 | 804 | 4.3 | 40 | 8 |
| 61 | | 45.8 | | 1.3 | 21 | | 813 | 1,570 | 11.7 | 80 | 12 |
| 68 | | 49.8 | | 1.3 | 24.9 | | 921 | 1,780 | 14.2 | 115 | 16 |
| 80 | | 61 | | 1.6 | 30.5 | | 1,370 | 2,740 | 25.0 | 180 | 20 |
| 112 | 0 -0.4 | 82 | 0 -0.4 | 1.85 | 38 | 17 | 1,570 | 3,140 | 44.0 | 430 | 25 |
| 123 | | 104.2 | | 1.85 | 44.5 | | 2,500 | 5,490 | 78.9 | 615 | 30 |
| 151 | | 121.2 | | 2.15 | 59 | | 3,430 | 8,040 | 147 | 1,400 | 40 |
| 192 | | 155.2 | | 2.65 | 72 | | 6,080 | 15,900 | 396 | 2,320 | 50 |
| 209 | | 170 | | 3.15 | 86.5 | | 7,550 | 20,000 | 487 | 3,920 | 60 |

1N=0.102kgf 1N·m=0.102kgf·m

SW-W型 (英寸规格)
—双倍型—



公称型号构成



直线轴承·衬套

| 公称型号 | | | | 钢球 线路 | dr | | D | | 主要尺寸 | |
|-------------------|-----------|---------------------|-----------|----------|--------|----------|--------|----------|------|--|
| 标准规格 钢制 保持器 | 树脂 保持器 | 耐腐蚀规格 不锈钢 保持器 | 树脂 保持器 | | mm | 公差 μm | mm | 公差 μm | | |
| SW 4W | SW 4GW | SWS 4W | SWS 4GW | 4 | 6.350 | | 12.700 | 0/-13 | | |
| SW 6W | SW 6GW | SWS 6W | SWS 6GW | 4 | 9.525 | 0 | 15.875 | | | |
| SW 8W | SW 8GW | SWS 8W | SWS 8GW | 4 | 12.700 | -10 | 22.225 | 0 | | |
| SW10W | SW10GW | SWS10W | SWS10GW | 4 | 15.875 | | 28.575 | -16 | | |
| SW12W | SW12GW | SWS12W | SWS12GW | 5 | 19.050 | 0 | 31.750 | 0 | | |
| SW16W | SW16GW | SWS16W | SWS16GW | 6 | 25.400 | -12 | 39.688 | -19 | | |
| SW20W | SW20GW | SWS20W | SWS20GW | 6 | 31.750 | 0 | 50.800 | 0 | | |
| SW24W | SW24GW | SWS24W | SWS24GW | 6 | 38.100 | -15 | 60.325 | -22 | | |
| SW32W | SW32GW | SWS32W | SWS32GW | 6 | 50.800 | | 76.200 | 0/-25 | | |

| mm | L 公差 mm | mm | B 公差 mm | W mm | D ₁ mm | 偏心 μm | 基本额定负荷 | | 静态允许 力矩 Mo N·m | 质量 g | 轴径 mm |
|---------|---------------|--------|---------------|---------|----------------------|----------|-------------|--------------|-------------------------|---------|----------|
| | | | | | | | 动 C N | 静 Co N | | | |
| 34.925 | 0 -0.3 | 25.959 | 0 | 0.992 | 11.906 | 15 | 323 | 530 | 2.0 | 17.5 | 6.350 |
| 40.481 | | | | | | | 353 | 630 | 2.7 | 28 | 9.525 |
| 60.325 | | | | | | | 813 | 1,570 | 11.5 | 80 | 12.700 |
| 71.438 | | | | | | | 1,230 | 2,350 | 20.0 | 160 | 15.875 |
| 78.581 | | | | | | | 1,370 | 2,740 | 26.5 | 195 | 19.050 |
| 108.744 | 0 -0.4 | 89.139 | 0 | 1.727 | 37.306 | 20 | 1,570 | 3,140 | 41.2 | 410 | 25.400 |
| 127.000 | | | | | | | 2,500 | 5,490 | 84.8 | 820 | 31.750 |
| 144.463 | | | | | | | 3,430 | 8,040 | 143 | 1,250 | 38.100 |
| 196.850 | | | | | | | 6,080 | 15,900 | 399 | 2,350 | 50.800 |
| | | | | | | | | | | | |

1N≒0.102kgf 1N·m≒0.102kgf·m